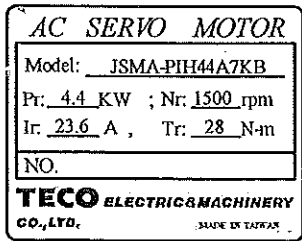


No.	Item	Symbol	Unit	Specification	No.	Item	Symbol	Unit	Specification
1	Drive	-	-	3 ϕ 220 VAC	13	Rotor Inertia	Jm	kg-cm ²	61.58
2	Cooling Method	-	-	Totally Enclosed	14	Rated Power Rate	Q-R	Kw/s	127.31
3	Exciting Method	-	-	Permanent Magnet	15	Resistance	Ra	Ω	0.167 \pm 10%/2 ϕ
4	Resolution	-	-	17BIT-INC	16	Inductance	L	mH	4.3 \pm 10% / 2 ϕ
5	Rated Output	P-R	W	4400	17	Mech. Time Constant	Tm	ms	1 \pm 10%
6	Rated Torque	T-R	N-m	28	18	Elect. Time Constant	Te	ms	25.81 \pm 10%
7	Max. Torque	T-max	N-m	70	19	Insulation Class	-	-	Class F
8	Rated Speed	N-R	rpm	1500	20	Operation Temp.	T	$^{\circ}$ C	0-40
9	Rated Current	I-R	A	23.6	21	Operation Humd.	RH	%	<80
10	Max. Current	I-max	A	59	22	Storage Temp.	T	$^{\circ}$ C	-20 \sim -60 $^{\circ}$
11	Torque Constant	Kt	N-m/A	1.19 \pm 10%	23	Storage Humd.	RH	%	<80
12	Voltage Constant	Ke	V/krpm	79 \pm 10%	24	Weight	W	kgw	26

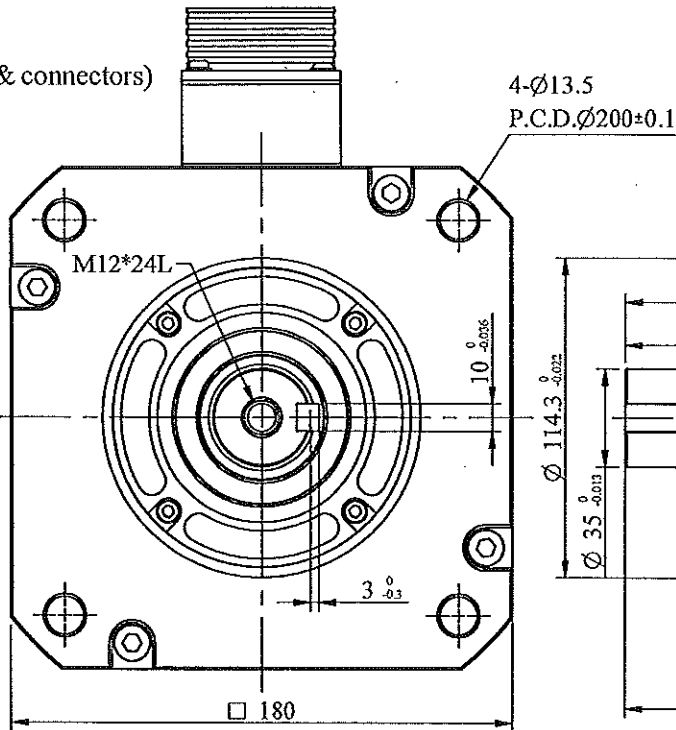
NOTE:
Motor to be IP67.
(excluding the shaft opening & connectors)



Do not Hammer!
Name Plate for Notice



Name Plate for Spec



Name Plate for Spec

Pin	Signal
B	Vcc
I	Gnd
A	
C	
H	SD+
D	SD-
E	
F	FG

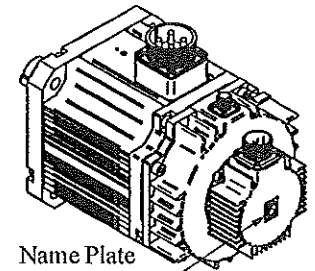
Encoder Wiring

Pin	Signal
A	U _r
B	V
C	W
D	FG

Motor Wiring

Pin	Signal
A	0
B	24V
C	

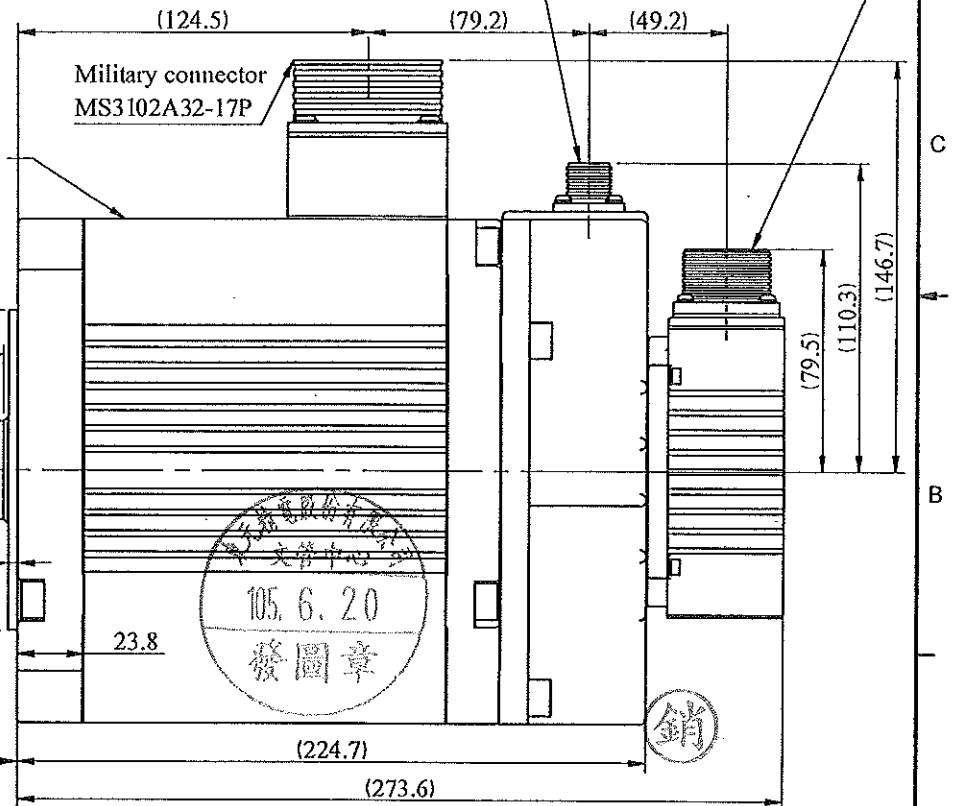
Brake Wiring



Name Plate for Notice

Military connector
MS3102A10SL-3P

Military connector
MS3102A20-18P



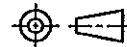
STANDARD TOLERANCE

X	\pm 0.5
.X	\pm 0.2
.XX	\pm 0.05
ANGLE	\pm 30'

APVD	<i>[Signature]</i>	6/16/16
CHKD	<i>Michelle</i>	6-16-16
CHKD		
DWN	Chase	06-15-'16

SCALE UNIT m m NAME Servo Motor Outline Drawing

3RD .A.P



TITLE

JSMA-PIH44A7KB

MATERIAL	REV	DESCRIPTION	SIGNATURE	DATE	SIGNATURE	DATE	TECO ELECTRO DEVICES CO., LTD.	Dept. Design	DWG.NO.	D01B18442H3B7AD01
----------	-----	-------------	-----------	------	-----------	------	--------------------------------	--------------	---------	-------------------